

JAYON CLIMATIC TEST CHAMBER

JAYON EXPERT FOR TEMPERATURE AND HUMIDITY SOLUTIONS



WWW.JYCLIMATECHAMBER.COM

YOUR CLOSE PARTNER IN ENVIRONMENTAL SIMULATION INDUSTRY



About Us

Who we are

Hefei Jayon Instrument Equipment Co.,Ltd was China leading climatic test chamber manufacturer and exporter,located in Hefei,China. We own production bases in Jiangsu. We've accumulated over 15 years' experience with our own R&D Dept.,our products ranges are temperature test chambers,temperature humidity test chambers,thermal shock chambers,fast change rate environmental test chambers,vibration test chambers,IP test chambers,walk-in chambers,PV Module test chambers and other customized ones. We've exported climatic chambers to more than 30 countries. Most products are CE certified, and widely applied in electronics,automotive,telecommunications,chemicals,pharmaceuticals,aerospace,plastic and rubber materials, packages, photovoltaic industries. Many industries we served request specific temperature humidity or others. Our experienced R&D team is able to meet the most stringent needs requested from customers.



What we do

We provide one-stop service,ranging from tailor-made climatic chambers,full technical support and after sale, to sound logistics system,such as warehousing,pre-shipment inspections and delivery.We strive to fulfill your demands as fast as possible on an individual basis with utmost flexibility and expediency. Currently we have expanded our team of sales managers and administrators,allowing us to offer state-of-the-art products and service to our partners. We are always open to explore innovative ideas to put our business forward.

Mission statement

Hefei Jayon Instrument Equipment Co.,Ltd strives to be your preferred partner on the manufacturing marketing,and logistics in climatic test chamber industry.



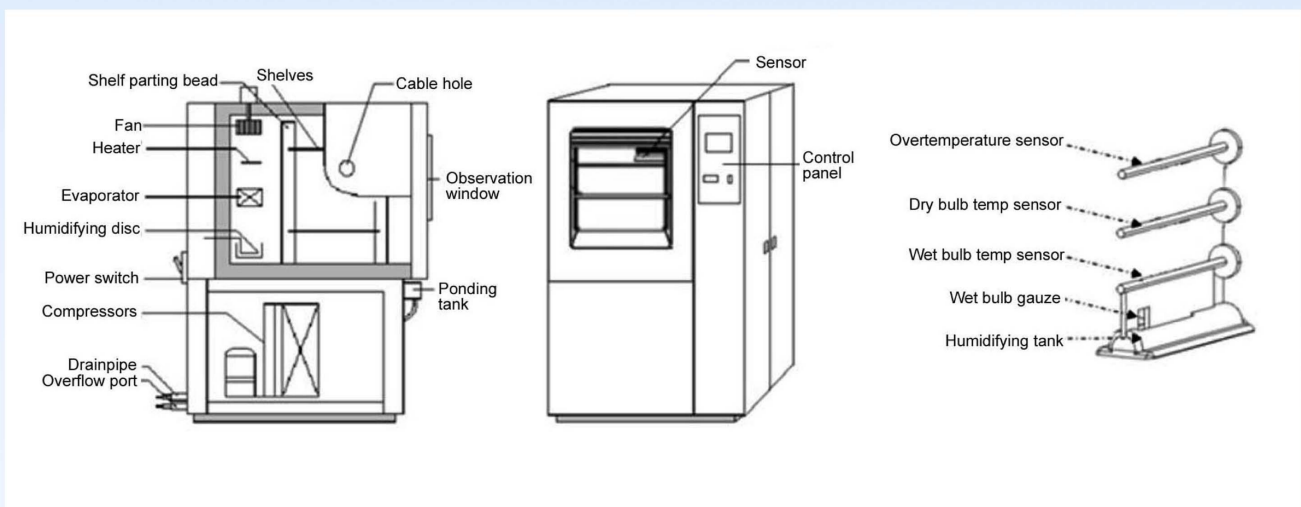
Climatic Chambers

JYGDS Series High and Low Temperature Damp Heat Climatic Test Chamber

High and low temperature damp heat climatic test chambers is mainly for testing and determining the parameters and performance of electrical, electronic products, chemicals and materials upon the change of the environment in high temperature, low temperature or temperature humidity test. It can simulate different environmental conditions (temperature and humidity) on product or material. It's appropriate for testing material performance, such as resist heat, resist dry and resist cold. It is widely applicable to electronics, automotive, aerospace industry, telecommunications, chemicals, pharmaceuticals, packagings, foodstuffs, home appliance industry and scientific research field.



Structure chart:



Climatic Chambers

Model	JYGDS-50	JYGDS-100	JYGDS-150	JYGDS-250
Internal Size W*D*H (mm)	350×320×450	500×400×500	500×500×600	600×500×810
External size W*D*H(mm)	950×950×1400	1050×1030×1750	1050×1100×1850	1120×1100×2010
Model	JYGDS-500	JYGDS-800	JYGDS-1000	
Internal Size W*D*H(mm)	800×700×900	1000×800×1000	1000×1000×1000	
External size W*D*H(mm)	1350×1300×2200	1560×1410×2240	1560×1610×2240	
Technical Parameters	Temp.range	Model A :-20°C~+150°C Model B: -40°C~+150°C Model C: -70°C~+150°C		
	Humidity Range	20% ~ 98% R.H(even lower 10% is available)		
	Humidity bias	+2/-3% R.H		
	Temp. fluctuation	≤±0.5°C		
	Temp. uniformity	≤2°C		
	Heating rate	2~3°C/min		
	Cooling rate	0.7~1°C/min		
Material	External material	A3 steel plate,surface electrostatic spraying		
	Internal material	High quality SUS#304 stainless steel plate		
	Insulation materials	Superfine fiberglass wool / polyurethane foam		
	Door seal	Adopts silicone rubber material which can avoid aging and hardening in high and low temperature conditions		
Cold and heat exchange system	Controller	TEMI880 programmable touch screen temperature and humidity controller		
	Circulatory system	Temperature low-noise motors, single cycle, plus the long axis, stainless steel multi-leaf type centrifugal fan		
	Water supply	Electronic device controller automatic control of liquid, with water shortage alarm function		
	Humidification mode	Shallow slot humidification, electric heating steam humidification mode		
	Dehumidification mode	Refrigeration dehumidification mode		
	Refrigeration	Unit cooling mode / Dual cooling method (air-cooled),according to size of chamber and specific low temperature		
	Refrigerant	R404A/R23		
	Cooler	Copper tube aluminum fin cooler		
Compressor	France "TECUMSEH" closed refrigeration compressor / France "TECUMSEH" Hermetic Refrigeration Compressors			
Timing	0.1~99.99(S,M,H)			
Input	PT100			
Security Devices	leakage and outage protection,compressor over-pressure,overheat, over-current protection,overload fusing protection,audio signal alarm			
Standard Configuration	One observe window 220*300mm(Resistant to high and low temperatures hollow toughened glass window, a fluorescent lamp, a test hole φ 50mm, two layer stainless steel sample frame			
Power supply	AC220V·50HZ/380V·50HZ			

Climatic Chambers

Controller:

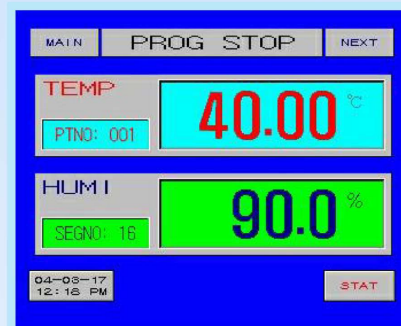
TEMI-880 5.7 inch LCD Touch screen Temperature and Humidity Controller

Program with 99 groups,999 cycles

Setting Resolution: Temperature: $\pm 0.1^{\circ}\text{C}$ Humidity: $\pm 0.1\% \text{RH}$

Standard with RS 232 computer interface and software

With English setting menu



Compressor:

France "TECUMSEH" compressor or compressors

One compressor for $0^{\circ}\text{C}, -20^{\circ}\text{C}$; two compressors for $-40^{\circ}\text{C}, -70^{\circ}\text{C}$



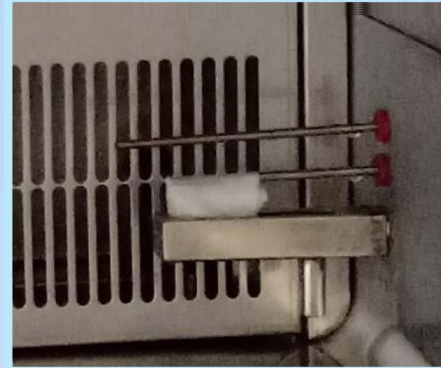
Climatic Chambers

Main parts picture:

Inner



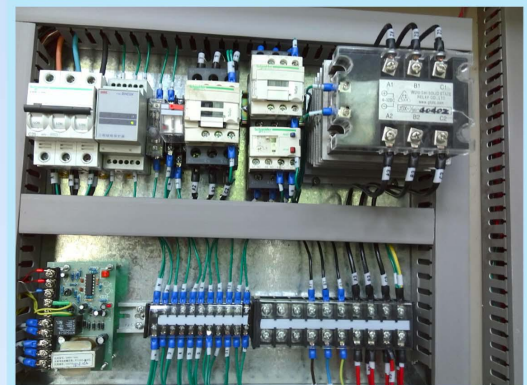
Temp and humid sensor



Cable Hole



Safety Device



Water tank



Water position



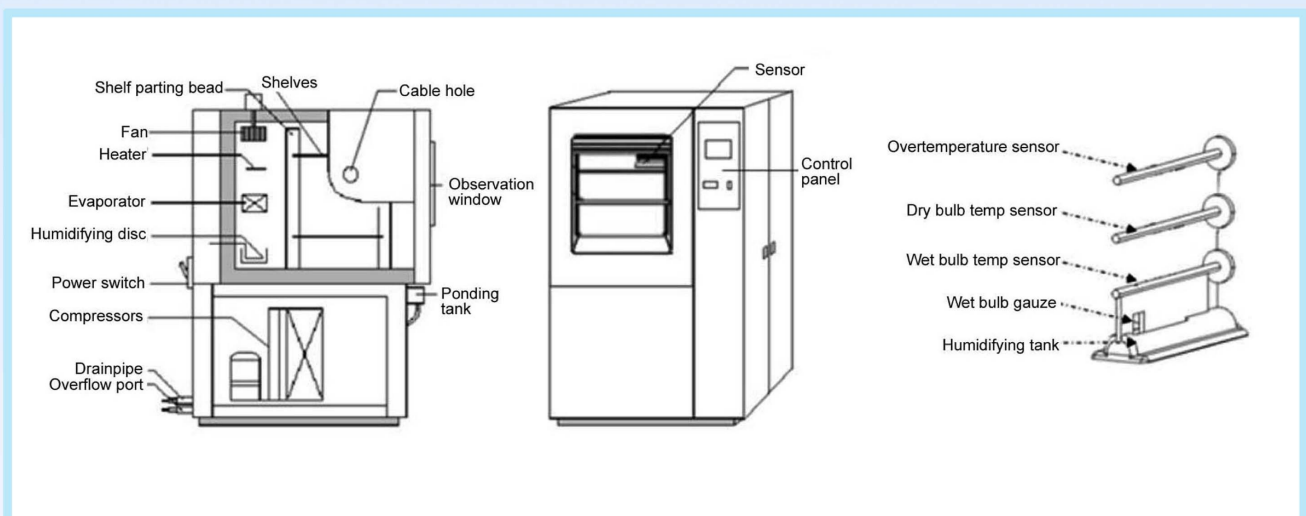
Climatic Chambers

JYGDJS Series High and Low Temperature Alternating Damp Heat Climatic Test Chamber

High and low temperature alternating damp heat climatic test chamber is mainly for testing and determining the parameters and performance of electrical, electronic products, chemicals and materials upon the change of the environment in high temperature, low temperature and temperature humidity alternating test. It can simulate different environmental conditions (temperature and humidity) on product or material. It's appropriate for testing material performance, such as resist heat, resist dry and resist cold. It is widely applicable to electronics, automotive, aerospace industry, telecommunications, chemicals, pharmaceuticals, packagings, foodstuffs, home appliance industry and scientific research field.



Structure chart:



Climatic Chambers

Model	JYGDJS-50	JYGDJS-100	JYGDJS-150	JYGDJS-250
Internal Size W*D*H (mm)	350×320×450	500×400×500	500×500×600	600×500×810
External size W*D*H(mm)	950×950×1400	1050×1030×1750	1050×1100×1850	1120×1100×2010
Model	JYGDJS-500	JYGDJS-800	JYGDJS-1000	
Internal Size W*D*H(mm)	800×700×900	1000×800×1000	1000×1000×1000	
External size W*D*H(mm)	1350×1300×2200	1560×1410×2240	1560×1610×2240	
Technical Parameters	Temp.range	Model A :-20°C~+150°C Model B: -40°C~+150°C Model C: -70°C~+150°C		
	Humidity Range	20% ~ 98% R.H(even lower 10% is available)		
	Humidity bias	+2/-3% R.H		
	Temp. fluctuation	≤±0.5°C		
	Temp. uniformity	≤2°C		
	Heating rate	2~3°C/min		
	Cooling rate	0.7~1°C/min		
Material	External material	A3 steel plate,surface electrostatic spraying		
	Internal material	High quality SUS#304 stainless steel plate		
	Insulation materials	Superfine fiberglass wool / polyurethane foam		
	Door seal	Adopts silicone rubber material which can avoid aging and hardening in high and low temperature conditions		
Cold and heat exchange system	Controller	TEMI880 programmable touch screen temperature and humidity controller		
	Circulatory system	Temperature low-noise motors, single cycle, plus the long axis, stainless steel multi-leaf type centrifugal fan		
	Water supply	Electronic device controller automatic control of liquid, with water shortage alarm function		
	Humidification mode	Shallow slot humidification, electric heating steam humidification mode		
	Dehumidification mode	Refrigeration dehumidification mode		
	Refrigeration	Unit cooling mode / Dual cooling method (air-cooled),according to size of chamber and specific low temperature		
	Refrigerant	R404A/R23		
	Cooler	Copper tube aluminum fin cooler		
Compressor	France "TECUMSEH" closed refrigeration compressor / France "TECUMSEH" Hermetic Refrigeration Compressors			
Timing	0.1~99.99(S,M,H)			
Input	PT100			
Security Devices	leakage and outage protection,compressor over-pressure,overheat,over-current protection,overload fusing protection,audio signal alarm			
Standard Configuration	One observe window 220*300mm(Resistant to high and low temperatures hollow toughened glass window, a fluorescent lamp, a test hole ϕ 50mm, two layer stainless steel sample frame,			
Power supply	AC220V·50HZ/380V·50HZ			

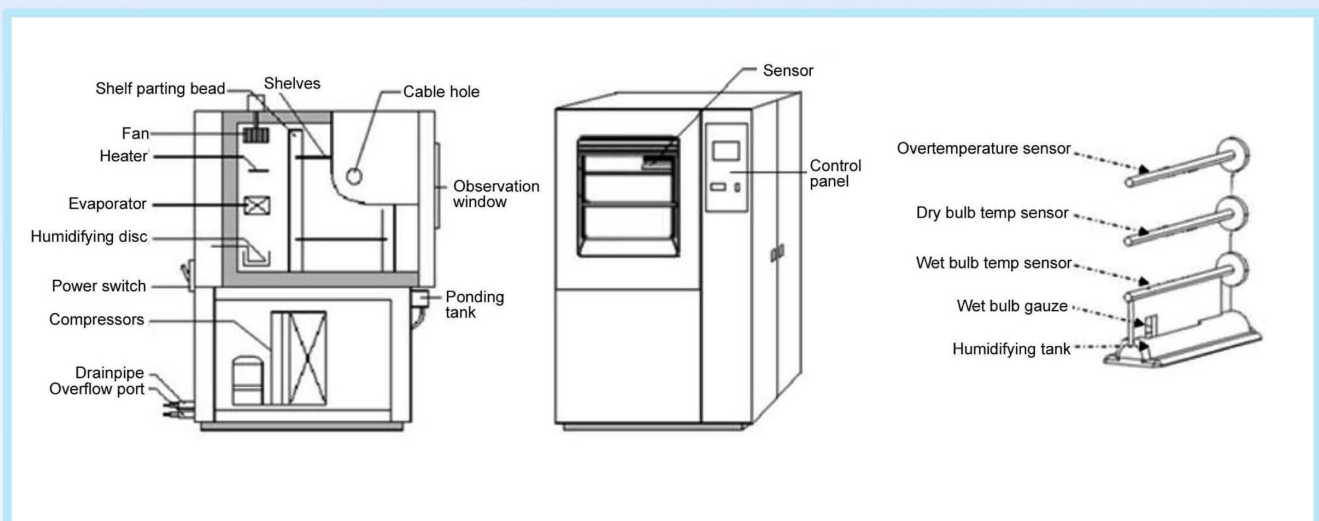
Climatic Chambers

JYHS Series Constant Temperature Humidity Climatic Test Chamber

Constant temperature humidity climatic test chamber is mainly for testing and determining the parameters and performance of electrical, electronic products, chemicals and materials upon the change of the environment in high temperature, low temperature or temperature humidity test. It can simulate different environmental conditions (temperature and humidity) on product or materials. It is appropriate for testing material performance, such as resist, resist dry and resist cold. It is widely applicable to electronics, automotive, aerospace industry, telecommunications, chemicals, pharmaceuticals, packagings, foodstuffs, home appliance industry and scientific research field.



Structure chart:



Climatic Chambers

Model	JYHS-50	JYHS-100	JYHS-150	JYHS-250
Internal Size W*D*H (mm)	350×320×450	500×400×500	500×500×600	600×500×810
External size W*D*H(mm)	950×950×1400	1050×1030×1750	1050×1100×1850	1120×1100×2010
Model	JYHS-500	JYHS-800	JYHS-1000	
Internal Size W*D*H(mm)	800×700×900	1000×800×1000	1000×1000×1000	
External size W*D*H(mm)	1350×1300×2200	1560×1410×2240	1560×1610×2240	
Technical Parameters	Temp.range	0°C~+100°C		
	Humidity Range	30% ~ 98% R.H		
	Humidity bias	+2/-3% R.H		
	Temp. fluctuation	≤±0.5°C		
	Temp. uniformity	≤2°C		
Material	External material	A3 steel plate,surface electrostatic spraying		
	Internal material	High quality SUS#304 stainless steel plate		
	Insulation materials	Superfine fiberglass wool / polyurethane foam		
	Door seal	Adopts silicone rubber material which can avoid aging and hardening in high and low temperature conditions		
Heat exchange system	Controller	TEMI880 programmable touch screen temperature and humidity controller		
	Circulatory system	Temperature low-noise motors, single cycle, plus the long axis, stainless steel multi-leaf type centrifugal fan		
	Water supply	Electronic device controller automatic control of liquid, with water shortage alarm function		
	Dehumidification mode	Refrigeration dehumidification mode		
	Humidification mode	Shallow slot humidification, electric heating steam humidification mode		
	Refrigeration	Unit cooling mode / Dual cooling method (air-cooled),according to size of chamber and specific low temperature		
	Refrigerant	R404A/R23		
	Cooler	Copper tube aluminum fin cooler		
Compressor	France "TECUMSEH" closed refrigeration compressor / France "TECUMSEH" Hermetic Refrigeration Compressors			
Timing	0.1~99.99(S,M,H)			
Input	PT100			
Security Devices	leakage and outage protection,over-temperature protection,water shortage protection			
Standard Configuration	One observe window(Resistant to high and low temperatures hollow toughened glass window, a fluorescent lamp, a test hole ϕ 50mm, two layer stainless steel sample frame,			
Power supply	AC220V·50HZ/380V·50HZ			

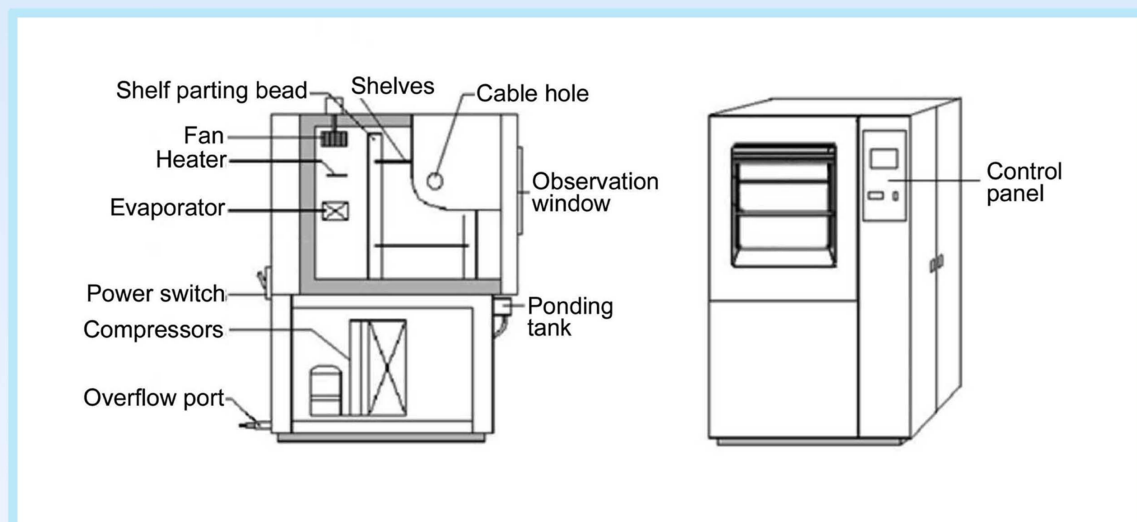
Climatic Chambers

JYGDW Series High and Low Temperature Climatic Test Chamber

High and Low Temperature Climatic Test Chamber is mainly for testing and determining the parameters and performance of electrical, electronic products and materials upon the change of the environment in high-temperature, low-temperature or constant test. It can simulate different environmental conditions (temperature) on a product or material, It's appropriate for testing material performance, such as resist heat, resist dry and resist cold. It is widely applicable to electronics, automotive, aerospace industry, packagings, foodstuffs, home appliance industry and scientific research field.



Structure chart:



Climatic Chambers

Model	JYGDW-50	JYGDW-100	JYGDW-150	JYGDW-250
Internal Size W*D*H (mm)	350×320×450	500×400×500	500×500×600	600×500×810
External size W*D*H(mm)	950×950×1400	1050×1030×1750	1050×1100×1850	1120×1100×2010
Model	JYGDW-500	JYGDW-800	JYGDW-1000	
Internal Size W*D*H(mm)	800×700×900	1000×800×1000	1000×1000×1000	
External size W*D*H(mm)	1350×1300×2200	1560×1410×2240	1560×1610×2240	
Technical Parameters	Temp.range	Model A :-20°C~+150°C Model B: -40°C~+150°C Model C: -70°C~+150°C		
	Temp. fluctuation	≤±0.5°C		
	Temp. uniformity	≤2°C		
	Heating rate	2~3°C/min		
	Cooling rate	0.7~1°C/min		
Material	External material	A3 steel plate,surface electrostatic spraying		
	Internal material	High quality SUS#304 stainless steel plate		
	Insulation materials	Superfine fiberglass wool / polyurethane foam		
	Door seal	Adopts silicone rubber material which can avoid aging and hardening in high and low temperature conditions		
Cold and heat exchange system	Controller	Japan import "Fuji" temperature controller		
	Circulatory system	Temperature low-noise motors, single cycle, plus the long axis, stainless steel multi-leaf type centrifuge fan		
	Refrigeration	Unit cooling mode / Dual cooling method (air-cooled),according to size of chamber and specific low temperature		
	Heater	Nickel wire heater		
	Refrigerant	R404A/R23		
	Compressor	France "TECUMSEH" closed refrigeration compressor / France "TECUMSEH" Hermetic Refrigeration Compressors		
Timing	0.1~99.99(S,M,H)			
Input	PT100			
Security Devices	leakage and outage protection,compressor over-pressure,overheat,over-current protection,overload fusing protection,audio signal alarm			
Standard Configuration	One observe window(Resistant to high and low temperatures hollow toughened glass window, a fluorescent lamp, a test hole ϕ 50mm, two layer stainless steel sample frame,			
Power Supply	AC220V·50HZ/380V·50HZ			

Climatic Chambers

Controller:

Japan import "Fuji" temperature controller

Single Program

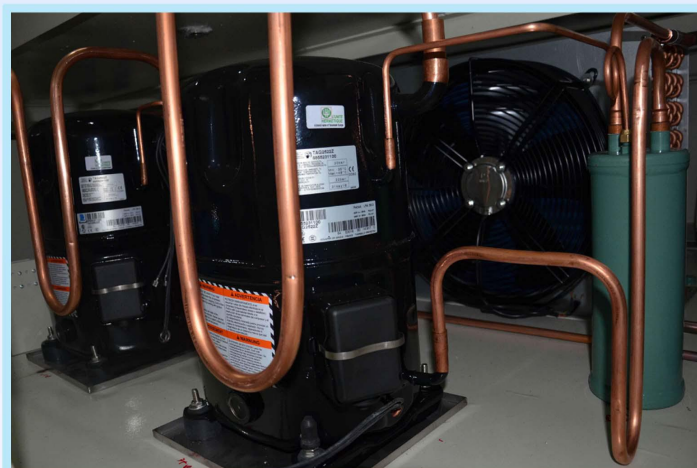
With English setting menu



Compressor

France "TECUMSEH" compressor or compressors

One compressor for 0°C, -20°C ; two compressors for -40°C, -70°C



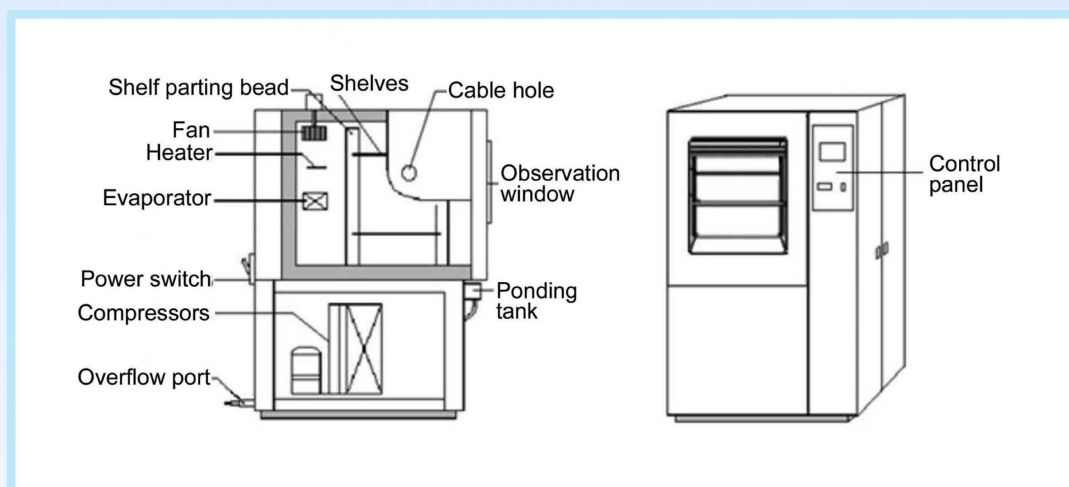
Climatic Chambers

JYGDJ Series High and Low Temperature Alternating Climatic Test Chamber

High and Low Temperature Alternating Climatic Test Chamber is mainly for testing and determining the parameters and performance of electrical, electronic products and materials upon the change of the environment in high-temperature, low-temperature alternating test. It can simulate different environmental conditions (temperature) on a product or material, It's appropriate for testing material performance, such as resist heat, resist dry and resist cold. It is widely applicable to electronics, automotive, aerospace industry, packagings, foodstuffs, home appliance industry and scientific research field.



Structure chart:



Climatic Chambers

Model	JYGDJ-50	JYGDJ-100	JYGDJ-150	JYGDJ-250
Internal Size W*D*H (mm)	350×320×450	500×400×500	500×500×600	600×500×810
External size W*D*H(mm)	950×950×1400	1050×1030×1750	1050×1100×1850	1120×1100×2010
Model	JYGDJ-500	JYGDJ-800	JYGDJ-1000	
Internal Size W*D*H(mm)	800×700×900	1000×800×1000	1000×1000×1000	
External size W*D*H(mm)	1350×1300×2200	1560×1410×2240	1560×1610×2240	
Technical Parameters	Temp.range	Model A :-20°C~+150°C Model B: -40°C~+150°C Model C: -70°C~+150°C		
	Temp. fluctuation	≤±0.5°C		
	Temp. uniformity	≤2°C		
	Heating rate	2~3°C/min		
	Cooling rate	0.7~1°C/min		
Material	External material	A3 steel plate,surface electrostatic spraying		
	Internal material	High quality SUS#304 stainless steel plate		
	Insulation materials	Superfine fiberglass wool / polyurethane foam		
	Door seal	Adopts silicone rubber material which can avoid aging and hardening in high and low temperature conditions		
Cold and heat exchange system	Controller	TEMP880 programmable touch screen temperature controller		
	Circulatory system	Temperature low-noise motors, single cycle, plus the long axis, stainless steel multi-leaf type centrifuge fan		
	Refrigeration	Unit cooling mode / Dual cooling method (air-cooled),according to size of chamber and specific low temperature		
	Heater	Nickel wire heater		
	Refrigerant	R404A/R23		
	Compressor	France "TECUMSEH" closed refrigeration compressor / France "TECUMSEH" Hermetic Refrigeration Compressors		
Timing	0.1~99.99(S,M,H)			
Input	PT100			
Security Devices	leakage and outage protection,compressor over-pressure,overheat,over-current protection,overload fusing protection,audio signal alarm			
Standard Configuration	One observe window(Resistant to high and low temperatures hollow toughened glass window, a fluorescent lamp, a test hole ϕ 50mm, two layer stainless steel sample frame,			
Power Supply	AC220V·50HZ/380V·50HZ			

Climatic Chambers

Controller:

TEMP-880 5.7 inch LCD Touch screen Temperature Controller

Program with 99 groups,999 cycles

Setting Resolution: Temperature: $\pm 0.1^{\circ}\text{C}$

Standard with RS 232 computer interface and software

With English setting menu



Compressor

France "TECUMSEH" compressor or compressors

One compressor for $0^{\circ}\text{C}, -20^{\circ}\text{C}$; two compressors for $-40^{\circ}\text{C}, -70^{\circ}\text{C}$



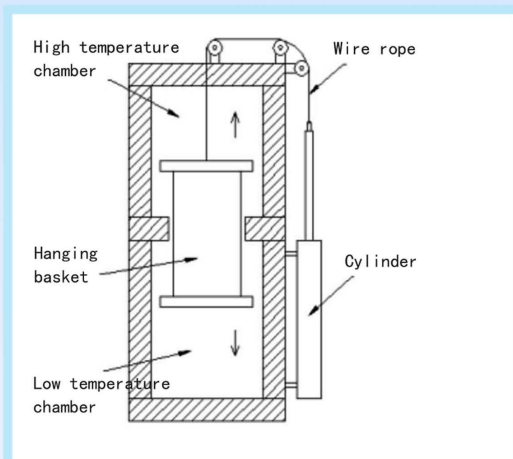
ESS Chambers

2 Zone Thermal Shock Chamber

2 zone Thermal Shock Chamber is used to test the material structure or composite material in a instant by the extremely high temperature and very low temperature continuous environmental which can endure the degree of order in the shortest possible time to test its thermal expansion and contraction caused by chemical changes physical harm.It is the testing machine of automotive parts,electronic parts,aviation parts,metals,plastics,etc.It can be used as the basis of product improvement or reference.



Structure chart:



Meet the following standards:

- .GB/T2423.1-1989
- .GB/T2423.2-1989
- .GB/T2423.22-1989
- .GJB150.5-86
- .GJB360.7-87
- .GJB367.2-87

ESS Chambers

Model		JYTS-27	JYTS-50	JYTS-80T	JYTS-150T	
Inner Size(W*D*H)cm		30*30*30	35*35*40	40*40*50	50*50*60	
Overall Size(W*D*H)cm		120*110*180	150*150*200	160*210*230	170*220*240	
Preheating Temp.range		±60℃～±200℃				
Precooling Temp.range		-10℃～-70℃				
Test Temp.range		+60℃～+150℃				
		-10℃～-40℃; -10℃～-55℃; -10℃～-65℃				
Performance	Temp uniformity	±2℃				
	Recovery time	≤5 min				
	Heating up time	℃	150	150	150	150
		min	30	30	40	40
	Cooling down time	℃	-55 -65 -75	-55 -65 -75	-55 -65 -75	-55 -65 -75
min		60 70 80	70 80 90	70 80 90	90 100 110	
Material	Inner Material	Stainless steel plate(SUS304)				
	Exterior Material	Stainless steel plate+spray painting				
	Insulation Material	Ragid polyurethane foam and glass wool				
System	Blower	Centrifugal blower				
	Heater	Nickel alloy electric heating wire heater				
	Refrigeration system	Cascade refrigeration system,Tecumseh compressor				
	Controller	Japan OYO9226S LCD Touch Screen Programmable temperature controller				
Accessories	Two shelves,lead hole 1(optional),recorder(optional) Outlook window (optional)					
Safety device	No fuse breaker,fuse,compressor over-pressure,overheating,over-current protection,over-temperature protection,water flow protection,phase sequence protection,oil pressure protection,presure relief protection,low voltage protection					
Power(kw)	3 phase AC380V 50HZ/60HZ					
	18 19 20	20 21 22	21 22 23	28 35 45		

Main parts picture:

Japan OYO Controller:



German BITZER Compressor



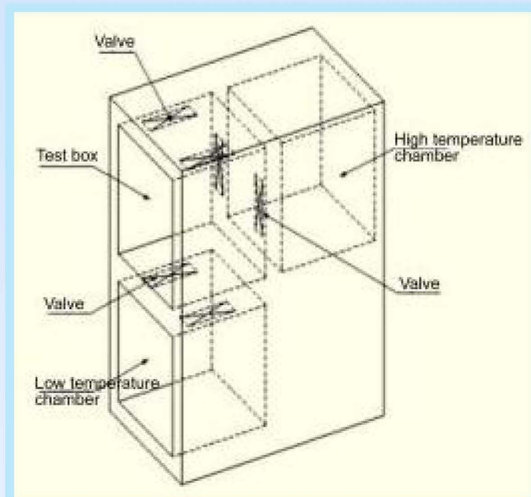
ESS Chambers

3 Zone Thermal Shock Chamber

3 zone Thermal Shock Chamber is used to test the material structure or composite material in a instant by the extremely high temperature and very low temperature continuous environmental which can endure the degree of order in the shortest possible time to test its thermal expansion and contraction caused by chemical changes physical harm.It is the testing machine of automotive parts,electronic parts,aviation parts, metals, plastics,etc. It can be used as the basis of product improvement or reference.



Structure chart:



Meet the following standards:

- .GB/T2423.1-1989
- .GB/T2423.2-1989
- .GB/T2423.22-1989
- .GJB150.5-86
- .GJB360.7-87
- .GJB367.2-87

ESS Chambers

Model		JYTS-50	JYTS-80	JYTS-100	JYTS-150	JYTS-250	
Inner Size(W*D*H)cm		36*40*35	50*40*40	60*40*40	60*50*50	70*60*60	
Overall Size(W*D*H)cm		156*144*175	170*144*180	180*144*180	180*154*190	190*164*200	
Preheating Temp.range		±60℃~±200℃					
Precooling Temp.range		-10℃~-70℃					
SamplesTest Temp.range		+60℃~+150℃					
		-10℃~-40℃; -10℃~-55℃; -10℃~-65℃					
Performance	Temp uniformity	±2℃					
	Recovery time	3-5 min					
	Heating up time	℃	150	150	150	150	150
		min	30	40	40	40	40
Cooling down time	℃	-55 -65 -75	-55 -65 -75	-55 -65 -75	-55 -65 -75	-55 -65 -75	
	min	70 80 90	70 80 90	80 90 100	90 100 110	100 110 120	
Material	Inner Material	Stainless steel plate(SUS304)					
	Exterior Material	Stainless steel plate+spray painting					
	Insulation Material	Rapid polyurethane foam and glass wool					
System	Blower	Centrifugal blower					
	Heater	Nickel alloy electric heating wire heater					
	Refrigeration system	Cascade refrigeration system,Tecumseh compressor					
	Controller	Japan OYO9226S LCD Touch Screen Programmable temperature controller					
Accessories	Two shelves,lead hole 1(optional),recorder(optional) Outlook window (optional)						
Safety device	No fuse breaker,fuse,compressor over-pressure,overheating,over-current protection,over-temperature protection,water flow protection,phase sequence protection,oil pressure protection,pressure relief protection,low voltage protection						
Power(kw)	3 phase AC380V 50HZ/60HZ						
	20 21 22	21 22 23	22 23 25	28 35 45	30 40 50		

ESS Chambers

Fast Change Rate Environmental Test Chamber

Fast Change Rate Environmental Test Chamber is widely applied for electroic products,electronic parts, automotive parts,aviation parts by constant high low temperature and rapid temperature change reliability test.It can simulate impact on product caused by climate condition change during working and evaluate reliability and durability of a product. When thermal adoptability of product components is bad or internal stress is quiet large,fast temperature changing test can trigger failing caused by mechanical structure defects.Fast Change Rate Environmental Test Chamber is a powerful method for environmental stress screening.It can effectively eliminate product early failing.



Model		JYFGDW-210	JYFGDW-500	JYFGDW-800	JYFGDW-1000
Inner Size(W*D*H)cm		50*70*60	70*90*80	80*100*100	100*100*100
System		Balanced temperature control system			
Test Temp.range		-70℃~+100℃(fast temperature change -40℃~+85℃ full average /-70℃~+100℃(fast temperature change -55℃~+85℃ full average)			
Performance	Temp uniformity	±2℃			
	Temp.fluctuation	±0.5℃			
	Temp Change Rate	5℃/min or 10℃/min			
Material	Inner Material	Stainless steel plate(SUS304)			
	Exterior Material	Stainless steel plate+spray painting			
	Insulation Material	Rapid polyurethane foam and glass wool			
System	Blower	Centrifugal blower			
	Heater	Nickel alloy electric heating wire heater			
	Refrigeration system	Cascade refrigeration system,France “Tecumseh” compressor			
	Controller	TEMI-880 LCD Touch Screen Programmable temperature controller			
Accessories		Two shelves,lead hole 1(optional),recorder(optional)			
Safety device		No fuse breaker,fuse,compressor over-pressure,overheating,over-current protection,over-temperature protection,phase sequence protection,oil pressure protection,presure relief protection,low voltage protection			
Power(kw)		3 phase AC380V 50HZ/60HZ			

ESS Chambers

Main parts picture:

Controller



France "TECUMSEH" compressor or compressors



Vibration Test Chamber

Vibration test chamber integrates 3 functions of temperature, humidity, vibration. With rapid temperature change rate, temperature and humidity integrated test environment and the vibration function. It is widely applicable to the aerospace, aviation, communications, electronics, automobiles, household appliances and other industries, at the same time in the test chamber electric vibration stress according to the provisions of the cycle is applied to the sample, for the users of the machine (or components), electrical appliances, instruments, materials etc. temperature and humidity, vibration stress screening test, in order to assess product adaptability or experiment on behavior evaluation.



ESS Chambers

Model	JYV-500B	JYV-1000B
Inner Size(mm)	800*700*900	1000*1000*1000
Temp.range	-20℃,-40℃,-70℃~150℃,	
Humidity Range	20~98%RH	
Temp.fluctuation	±0.5℃	
Temp.uniformity	≤±2℃	
Humidity Fluctuation	±2.5%RH	
Humidity Uniformity	≤+2,-3%RH (higher than 75%RH);≤±5%RH (lower than 75%RH)	
Heating Rate	3.0℃/min(no load)	
Cooling Rate	0.7~1.0/min(no load)	
Controller	Programmable Touch Screen Temperature Humidity Controller	
Heating System	Nickel alloy wire heater	
Vibration System	Equipped universal electromagnetic vibration table,	
Vibration Frequency Range	5-4500HZ	
Rated Sine Thrust	980N	
Rated Random Thrust	980Nrms	
Maximum Acceleration	490 m/s ²	
Maximum Speed	2.00 m/s	
Maximum Displacement	25 mm p-p	
Maximum Load	70kg	
Vibration Table Body Model	D-100	
Weight of Moving Parts	2kg	
Refrigeration System	1.France “Tecumseh” fully closed refrigeration compressors 2.Refrigerant adopts environmentally friendly R404A 3.Condenser adopts fin type with cooling motor 4.Evaporator adopts fin-type multi-stage automatic load capacity adjustment	
Outer Material	A3 Steel plate,surface electrostatic spraying	
Inner Material	High quality SUS304 stainless steel plate	
Insulation Material	Superfine glass wool	
Communication Function	Equipped RS232C/RS485 communication interface	
Corresponding standard	GB11158.GB10589; GB/T2423.1-2001,GB2423.1-93; GB2423.4-2008;GB/T2423.102-2008; GB/T2423.10-2008,GB/T2423.36-2005	

Main parts picture:

Controller



France “TECUMSEH” compressor or compressors



Weathering Test Chambers

Ultraviolet Weathering Test Chamber

Ultraviolet Weathering Test Chamber is applicable for the sunlight resistant test of nonmetallic materials and aging test of artificial light sources. A variety of industrial products can make the reliability test, and this product can simulate the product in the sun, rain, humidity and dew conditions, including damage caused by bleaching, color, brightness down, powder, crack, blur, brittle, intensity decreased and oxidation. It is widely used in paint, resins, plastics, printing and packaging, aluminum, adhesives, auto, cosmetics, metals, electronics, electroplating, medicine, etc.



Model	JYZN-P
Consumed Power	5KW
Supply Voltage	380V 50/60HZ
Temperature Control Range	RT+10 °C ~ +70 °C
Controller	"Fuji"
Temp.uniformity and Fluctuation	±3°C, 1°C
Humidity Range	≥95% R.H
Internal Dimension	W450*D1170*H500MM
Outer Dimension	W500*D1380*H1480MM
Distance between specimen and lamp	50±2MM
Lamp parallel center distance	70MM
Light	UVA-340 or UVA-313
Wave Length	315-400nm or 280-315nm
Protection	Over temperature, short phase, water shortage, etc.

Weathering Test Chambers

Xenon Lamp Weathering Test Chamber

Xenon Lamp Weathering Test Chamber is used to test the materials undergone sunlight radiation, temperature, humidity, condensation, rain and any other climatic changes. This aging tester mainly for the test to determine the color fastness, aging resistance of textiles, plastics, rubber products, building materials. It can provide data for user to evaluate the products' properties and performance in order to improve the product qualities.



Model	JYFSN-900B	JYSN-900B	JYPSN-500B
Consumed Power	10KW	17KW	8KW
Capacity	767L	767L	188L
Internal Size(mm)	W950*D950*H850	W950*D950*H850	W750*D500*H500
Temperature Range	RT ~ +100 °C	RT ~ +70 °C	RT+10 °C ~ +120 °C
Humidity Range	65% ~ 98% R.H	65% ~ 98% R.H	30% ~ 98% R.H
Cooling Mode	Air-cooled	Water-cooled	Air-cooled
Irradiance	Automatic control, Beijing 'OBODli' probe	Manual control, Beijing 'OBODli' probe	Automatic control, Beijing 'OBODli' probe
Distance between sample holder and lamp	300~375mm	300~375mm	350~375mm
Rainfall time	0~99min adjustable		
Controller	TEMI-880 LCD Touch screen controller		
Cooling System	France "TECUMSEH" fully hermetic refrigeration compressor		
Wavelength	290~900nm		
Material of Inner and outer shell	Stainless steel		
Supply Voltage	380V 50/60HZ		
Security Devices	Leakage and outage protection, overload fusing protection, audio signal alarm		

Weathering Test Chambers

Main parts picture:

TEMI-880 Controller



France "TECUMSEH" compressor



Salt Spray Corrosion Test Chamber

Salt Spray Corrosion Test Chamber is adapted to the treatment of various material, including paint, electroplating, organic and inorganic coating, anode processing, anti-rust oil and so on, after these anti-corrosive treatment to the test corrosion resistance of their products.



Weathering Test Chambers

Model	JYYW-150	JYYW-250	JYYW-750	JYYW-010	JYYW-016	JYYW-020
Capacity	108L	270L	495L	663L	816L	1080L
Internal Size(W*D*H,MM)	600*450*400	900*600*500	1100*750*500	1300*850*600	1600*850*600	2000*900*600
Outer Size(W*D*H,MM)	1150*560*1100	1400*850*1200	1650*950*1300	2000*1100*1400	2400*1150*1500	2800*1200*1500
Temperature Range	+35 °C ~ +55 °C					
Temperature Uniformity	≤2°C					
Temperature Fluctuation	± 0.5°C					
Spray Quantity	1~2 ml / 80cm2					
Spray Mode	Continuous,periodic optional					
Test Timing Range	1~9999(H,M,S)					
Spray System	Tower spray nozzle with no crystal nozzle					
Controller	Japan import"Fuji"meter					
Outer Material	Import PP board which is corrosion resistant,high temperature resistant ,aging resistant and high-intensity					
Internal Material	Import PP board which is corrosion resistant,high temperature resistant ,aging resistant and high-intensity					
Tank cover material	Import PVC board which is corrosion resistant and high-intensity					
Security Devices	Over-temperature,default phase protection,water shortage protection					
Supply Voltage	AC220V·50HZ/380V·50HZ					

Main parts picture:

Control Panel



Spray Nozzle



Weathering Test Chambers

Ozone Aging Test Chamber

Ozone Aging Test Chamber is suitable for aging cracking test of non-metal materials and organic materials (such as coatings, plastics, paintings, rubber products).



Model	JYOL-100	JYOL-125	JYOL-150	JYOL-225	JYOL-500	JYOL-800
Internal Size(W*D*H,MM)	450*450*500	500*500*500	500*600*500	500*600*750	700*800*900	800*1000*1000
Temperature Range	0°C ~ 70 °C					
Temperature Fluctuation	± 0.5°C					
Temperature Uniformity	≤ ±2°C					
Cooling Rate	Ambient temperature to 0°C within 50 min(nonlinear)					
Ozone Concentration	0~1000PPHM (Adjustable)					
Ozone Concentration Bias	± 10%					
Ozone Source	Ozone generator					
Sensor	Import high precision ozone concentration sensor					
Controller	LCD touch screen temperature controller					
Heater	U type nickel alloy heater					
Timing Range	0~999 hours					
Air Flow Speed	12~16mm/S					
Ozone Output	3.5g/h					
Refrigeration System	France "TECUMSEH" fully hermetic refrigeration compressor					
Sample holder rotate speed	1r/min(adjustable)					
Supply Voltage	AC 380V·50HZ					

IP Test Chambers

Rain Test Chamber

Rain Test Chamber is suitable for external lighting, signal device and automotive lighting enclosure protection. This equipment is to test products' performance against rain penetration or after exposure in the rain for electric product' outer shells/seals, LED lights, automobile and motorcycle autoparts' outer shells/seals, etc. The whole chamber is made of superior stainless steel material, with large observation window. Equipped with appropriate circular turntable (for sample), the speed can be adjusted according to users' needs. Using frequency converter to control the speed, which ensure the test strictly follow international standard.



Model	JYLX-500	JYLX-1000
Internal Dimension	800*800*800	1170*1170*1170
Test Bench Diameter	Φ300mm	
Water Hole Diameter	Φ0.4mm, Φ0.8mm	
Spray Hole Spacing	50mm	
Spray Ring Radius	R400mm	
Water jet ring diameter	Φ16mm	
Pendulum Swing Tube Range	± 60° ± 90° ± 180°	
Test Bench Rotation Speed	1~17r/min(Adjustable)	
Spray Water Pressure	80~100Kpa	
Controller	TEMI880 Programmable LCD Touch Screen Controller	
Water Pressure Control	Flow-meter	
Water Supply	Storage water tank, booster pump	
Observation Window	Large visual tempered glass door	

IP Test Chambers

Water-proof Test Chamber

Water-proof Test Chamber is to test products' outershell performance in artificial raining, such as the outershell of external lighting, signal devices, automotive lighting. It conforms to IEC60529 and includes the following test grades: IPX1, IPX2, IPX3, IPX4, IPX5, IPX6. The whole waterproof test chamber includes drip tester (JYDL Series) for IPX1 and IPX2 test, swing pipe tester (JYBL Series) for IPX3 and IPX4 test, water jet test device (JYJL Series) for IPX5 and IPX6 test.

Drip tester, swing pipe tester



Drip tester specification

Model		JYBL
Inner Size(D*W*H)mm		800*1000
Performance	Drop Height	200~2000mm(Adjustable)
	Rainfall	3~5mm/ min
	Drip Aperture	Φ0.4mm
	Test Bench	500*400(mm)
	Test Bench Angle	Horizontal center facing both sides to 45 degrees
Operation Control System	Lift Mode	Rail vertical up and down
	Water Pressure Control	Flowmeter
	Water Supply	Booster Pump
	Safety Protection	Leakage, short-circuit, motor overheating protection

IP Test Chambers

Swing pipe tester specification

Model	JYBL-375	JYBL-600	JYBL-1000
Swing Pipe Radius(mm)	R375	R600	R1000
Pendulum Swing Tube Range	$\pm 45^\circ \pm 60^\circ \pm 90^\circ \pm 180^\circ$		
Water Hole Diameter	$\Phi 0.4\text{mm}$		
Pendulum Swing Angle Range	0~180°(Adjustable)		
Test Bench Diameter	$\Phi 600\text{mm}$ auxiliary test bench $\Phi 400\text{mm}$		
Test Bench Rotation Speed	1r/min(Optional for speed regulation without joint)		
Spray Water Pressure	80~100Kpa		
Controller	Imported FM converter		
Water Pressure Control	Flowmeter		
Water Supply	Storage water tank,booster pump		
Standard Configuration	Pieces of sprinkler head and nozzle		
Safety Protection	Leakage,short-circuit,motor overheating protection		

Water jet test device



Water jet test device specification

Model	JYJL
Internal Dimension	800*800*800
Nozzle Diameter	$\Phi 6.3\text{mm}$ (IPX5) $\Phi 12.5\text{mm}$ (IPX6)
Water Speed	12.5±0.625L/min for IPX5 and 100±5 L/min for IPX6
Water Pressure Control	Flow-meter
Water Supply	Storage water tank,booster pump
Experiment Time	3 min
Main Flow Center	Distance from spray nozzle to enclosure surface is 2.5~3m
Standard	IEC60529

IP Test Chambers

Dust-proof Test Chamber

Dust-proof Test Chamber is mainly used for IP5X and IP6X dust proof test of automotive parts, LED lights and other luminaries. It complies with IEC60529, GB2423.37-89 (Test L: dust test methods), GB 4208-93 protective casing grade (IP code), GB/T 4942.2-93(protective casing grade of low-voltage apparatus), GB 7000.1-1996, GB 7001-1986(protective casing grade of lamps), DIN40050 and IP5K0.



Model	JYDS-500	JYDS-800	JYDS-1000	JYDS-1500	JYDS-2000
Inner Size(W*D*H)cm	80*80*80	100*80*100	100*100*100	150*100*100	180*120*120
Overall Size(W*D*H)cm	122*105*155	142*105*182	142*125*185	192*125*182	222*145*218
Ambient Temperature	RT+15 ~ +35℃				
Metal Mesh Diameter	50um				
Nominal spacing between lines	75um				
Talcum powder amount	2kg ~ 4kg/m ³				
Shock Time	0 ~ 99H59M				
Fan Cycle Time	0 ~ 99H59M				
Samples Power Socket	Dust-proof socket AC220V 16A				
Controller	Imported microcomputer programmable integrated controller				
Vacuum System	Equipped with a pressure gauge, air filter, pressure regulator, connecting tube(Vacuum pump for option)				
Circulating Fan	Closed alloy low noise motor,multi-blade centrifugal fan				
Dust Heating System	Stainless steel mica sheet heating jacket				
Safety Device	Electric leakage, short circuit, Over-temperature, motor overheating Over-current protection/ Power-off memory function for controller				
Power Supply	380V 50HZ				

Walk-In Chambers

Walk-In High-low Temperature Damp Heat Test Chamber

Walk-in High-low Temperature Damp Heat Test Chamber has been developed for special applications, it is widely suitable for large parts, semi-finished products, finished products, huge equipment (cars, refrigerators, computers, telecommunication systems) undergone high and low temperature test, constant temperature test, temperature and humidity alternating test. Walk-in chambers, usually tailored to suit the specific customer's requirements, such as customized room size, temperature range, heating rate, cooling rate. It is in piece assembling structure, which enables on site installation and commissioning.



Model	JYGDWS-10B
Consumed Power	54KW
Type	Microprocessor with PID parameters controlling
Supply Voltage	380V 50/60HZ
Timing Range	0~9999min
Temperature control range	-40 °C ~ +150 °C
Temperature Fluctuation	≤ ±0.5°C
Temperature control Precision	0.1°C(32.18 °F)
Humidity Range	20%~98% R.H
Temp.uniformity	≤ ±2°C
Effective Capacity	10000 Liters
Internal Dimension	W2300*D2000*H2300MM
Outer Dimension	W2500*D3900*H2700MM
Packing Size	W665*D585*H535MM
Heating Rate	0.7~1.5°C/min(no-load)
Cooling Rate	0.7~1.5°C/min(no-load)
Refrigerant	R404A/R23
Controller	TEMI-880 Programmable Touch Screen Temperature and Humidity Controller and RS232/485 interface
Refrigeration System	Adopts two units low noise original Germany "GEA" semi-closed compressors

Walk-In Chambers

Walk-In High Temperature Aging Test Room

Walk-in High Temperature Aging Test Room, also called environmental test room, is a common device used in all kinds of aging tests in electronic, computer, LED, plastic, metal, vehicle, chemical and communication industries. It is mainly applicable to large accessories for high temperature aging and constant temperature test.



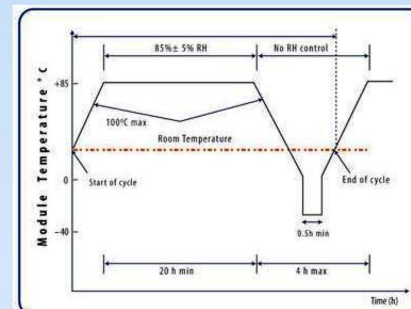
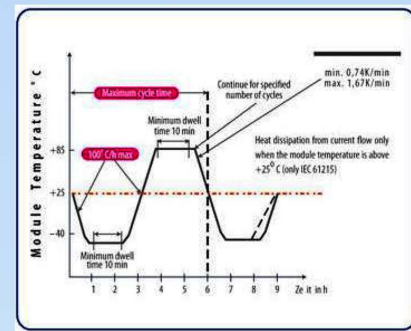
Model	JY-GW
Type	Microprocessor with PID parameters controlling
Supply Voltage	220/380V 50/60HZ
Temperature Control Range	RT ~ +85 °C
Temperature Fluctuation	≤ ±0.5°C
Temperature control precision	0.1°C
Temp.uniformity	≤ 3°C
Temp.bias	≤ ±3°C
Heating Rate	1.0~3.0°C(Also can according to Customer's requirements)
Internal Dimension	Subject to customer's requirements
Outer Dimension	Subject to customer's requirements
Outer Shell Material	Block type color steel plate,surface electrostatic spraying.
Inner Material	Superior SUS#304 stainless steel material
Insulation Material	Superfine fiberglass wool or polyurethane foam
Heating System	Stainless steel electric heater
Controller	RKC or OYO controller
Standard Accessories	Glass window,Inner light
Protection Device	Over-temperature Protection,leakage protection,fan overload protection,phase sequence protection
Optional Accessories	Temperature recorder,exhaust system,smoke alarm,photoelectric alarm,temperature test hole,movable slope platform
Corresponding Standard	GB/T2423.2-2001,GB2423.2-89Nb GB50054-95,GB5002S2-95 GB50169-92,GB50243-2002

PV Module Test Chambers

PV Module Test Chambers

Test Chamber for climatic tests on photovoltaic modules(2m*1m) according to IEC61215 and IEC61646 norms. Climatic chambers for PV module designed to meet solar panel test specifications for IEC, UL and ASTM for thermal cycling test, damp heat test(85°C /85% RH for 1000h),humidity and freezing test.It is used to evaluate the quality and determine the reliability and life time of photovoltaic modules.

Corresponding Standard:IEC61215,IEC61646,ITC62108



Technical Parameters:

Working chamber size: 1100(D)*1200(W)*2200(H),MM

Overall size: 2400(D)*1700(W)*2700(H),MM

Packing size: 2500(D)*1800(W)*305000(H),MM

Cooling tower: Diameter 1900mm, height 2300mm

Packing size: 2000*2000*2500(H),MM

Test PV module size: 2000(L)*1000(W)MM,thickness 50MM

10pcs

1. Temperature range: -40°C-120°C

Alternating temperature range: -40°C-85°C

2.Humidity range: 20%-98%R·H(40-90°C)

Alternating humidity range: 75%-95%R·H(-25°C-85°C)

3.Temperature fluctuation: $\leq \pm 0.5^\circ\text{C}$

4.Temperature uniformity: $\leq 2.0^\circ\text{C}$

5.Temperature bias: $\leq \pm 2.0^\circ\text{C}$

6.Humidity bias: +2 -3%R·H

7.Heating/cooling rate: 1.0-3.4°C/min(loading),(linear adjustable range:-40°C-85°C)

8.Time range: 0-9999H adjustable

9.Voltage: AV380V 50Hz

10.Power: 55KW water consumption: <1.0 ton/H

11.Automatic filling water

12.Cooling tower: 50 tons

13.Sample holder: working chamber adopts SUS#304 stainless steel inside, and 10 grooves to put PV modules with different sizes.

Pharmaceutical Stability Chambers

Pharmaceutical Stability Chambers



Structure and Characteristics

- .Microprocessor control, stainless steel chamber, semicircular arcs at corners for easy cleaning
- . Even air circulating system
- . R134a refrigerant, 2 imported compressors and fan motor
- . Over temperature and temperature difference alarms
- . Imported humidity sensor which can be used in high humidity environment
- . Balance temperature and humidity adjusting system
- .There is a 25mm instruction connection hole on the left side of the chamber for easy testing operation and temperature measurement.
- . UV light system for periodic sterilization of chamber (Option)
- .Independent audible and visible temperature-limiting alarm system ensures experiments run safely (Option).
- .RS485 connector can connect computer record and inspect the parameters and the variations of temperature (option)

Programmable Touch Screen

- . Large LCD screen to display more data at same time
- . English operation menu, display current data curves
- .100 groups with 1000 period's 999 circulations, max timing for each period is 99hours 59 minutes.
- . Auto lock after setting data.
- . Available to program on computer via RS-484 or RS-232

Safety Device:

- . Compressor over-heat protection
- . Fan over-heat protection
- . Over-temperature alarm system
- . Over-compressing protection
- . Over-load protection
- . Water lack protection
- . With temperature & Humidity

Model: JYLHH-150SDP JYLHH-250SDP JYLHH-500SDP

- . With temperature, humidity&Light

Model: JYLHH-150GSP JYLHH-250GSP JYLHH-SSG

- . With temperature&Light

Model: JYLHH-150GP JYLHH-250GP

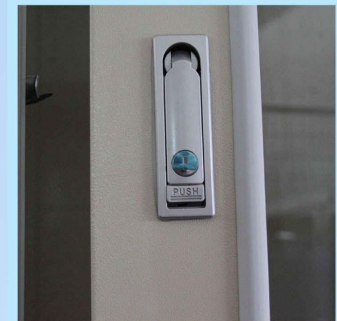
Pharmaceutical Stability Chambers

Model	Temperature & Humidity	Temperature & Humidity & Light	Temperature & Light
	JYLHH-80SDP JYLHH-150SDP JYLHH-250SDP JYLHH-500SDP JYLHH-800SDP JYLHH-1000SDP JYLHH-1500SDP	JYLHH-150GSP JYLHH-250GSP JYLHH-500GSP JYLHH-800GSP JYLHH-1000GSP JYLHH-1500GSP	JYLHH-150GP JYLHH-250GP JYLHH-400GP
Temperature Range	0~65°C	No light 4~50°C With light 10~50°C	
Temperature Stability	± 0.5°C		
Temperature Uniformity	± 2°C		
Humidity Range	40~95%RH		----
Humidity Stability	± 3%RH		-----
Illumination	----	0~6000LX adjustable	
Illumination difference	----	≤±500LX	
Timing Range	1~99hours/period		
Humidity and temp adjusting	Balance temperature and humidity adjusting		Balance temperature adjusting
Cooling system/cooling mode	Two sets of imported compressor work rotationally		
Controller	Programmable(touch screen)	Programmable(touch screen)	Microprocessor controller
Sensor	Temp: Pt100, Humidity: capacitance sensor		Temp: Pt100
Ambient Temperature	RT+5 ~ 30°C		
Electrical Requirement	AC220V 50/60HZ	AC380 50/60HZ(above 1000L)	
Capacity	80L/150L/250L/500L 800L/1000L/1500L	150L/250L/500L 800L/1000L/1500L	150L/250L/400L
Interior Dimension (W×D×H,MM)	400*400*500 550*405*670 660*500*830 800*700*900 965*580*1430 900*580*1600 1410*800*1500	550*405*670 660*500*830 800*700*900 965*580*1430 900*580*1600 1410*800*1500	550*405*670 660*500*830 700*550*1140
Overall Dimension (W×D×H,MM)	550*790*1080 690*805*1530 740*890*1680 1000*1100*1860 1475*890*1780 1410*890*1950 1570*1475*2050	600*500*830 740*890*1680 1000*1100*1860 1475*890*1780 1410*800*1500 1570*1475*2050	690*805*1530 740*890*1680 950*850*1850
Shelves	2/3/3/4/4/4/4(PCS)	3/3/4/4/4/4(PCS)	3/3/4(PCS)
Safety Device	Compressor overheating and over-pressure protection,Fan overheating protection Over temperature protection,Overload protection,Water protections		

Auto Dry Cabinets

Medium Humidity Dry Cabinet(20%~60%RH,Adjustable)

Medium Humidity Dry Cabinet is mainly used for storing materials which are sensitive to humidity,such as camera,lens,CD,stamps,half guild slide,samples,etc.



Model	Capacity	Inner Size (W×D×H,MM)	Outer Size (W×D×H,MM)	Packing Size (W×D×H,MM)	GW (KG)	Average Power (W)
JYDA98	98L	448*400*688	446*372*598	540*480*760	32	13
JYDA98F	98L	448*400*688	446*372*598	540*480*760	32	13
JYDA160	160L	446*422*848	448*450*1010	540*540*1215	47.5	18
JYDA160F	160L	446*422*848	448*450*1010	540*540*1215	47.5	18
JYDA240	240L	596*372*1148	598*400*1310	690*490*1500	63	18
JYDA240F	240L	596*372*1148	598*400*1310	690*490*1500	63	18
JYDA320	320L	898*422*848	900*450*1010	990*550*1270	79	20
JYDA320F	320L	898*422*848	900*450*1010	990*550*1270	79	20
JYDA435	435L	898*572*848	900*600*1010	990*690*1260	95	20
JYDA435F	435L	898*572*848	900*600*1010	990*690*1260	95	20
JYDA540	540L	596*682*1298	598*710*1465	690*800*1710	100	20
JYDA540F	540L	596*682*1298	598*710*1465	690*800*1710	100	20
JYDA718	718L	596*682*1723	598*710*1910	690*800*2200	128	20
JYDA718F	718L	596*682*1723	598*710*1910	690*800*2200	128	20
JYDA870	870L	898*572*1698	900*600*1890	1000*700*2200	160	40
JYDA870F	870L	898*572*1698	900*600*1890	1000*700*2200	160	40
JYDA1436-4	1436L	1198*682*1723	1200*710*1910	1300*800*2230	219	40
JYDA1436F-4	1436L	1198*682*1723	1200*710*1910	1300*800*2230	219	40
JYDA1436-6	1436L	1198*682*1723	1200*710*1910	1300*800*2230	219	40
JYDA1436F-6	1436L	1198*682*1723	1200*710*1910	1300*800*2230	219	40

Auto Dry Cabinets

Low Humidity Dry Cabinet(10%~20%RH,Adjustable)

Low Humidity Dry Cabinet is mainly used for storing materials which are sensitive to humidity, such as optical and electronic components, chemicals, printed circuit boards, optical film and lens, LED, PCB board, crystal, SCR, IC, BGA and other sophisticated electronic devices.



Model	Capacity	Inner Size (W×D×H,MM)	Outer Size (W×D×H,MM)	Packing Size (W×D×H,MM)	GW (KG)	Average Power (W)
JYDB98	98L	448*400*688	446*372*598	540*480*760	32	13
JYDB98F	98L	448*400*688	446*372*598	540*480*760	32	13
JYDB160	160L	446*422*848	448*450*1010	540*540*1215	47.5	18
JYDB160F	160L	446*422*848	448*450*1010	540*540*1215	47.5	18
JYDB240	240L	596*372*1148	598*400*1310	690*490*1500	63	18
JYDB240F	240L	596*372*1148	598*400*1310	690*490*1500	63	18
JYDB320	320L	898*422*848	900*450*1010	990*550*1270	79	20
JYDB320F	320L	898*422*848	900*450*1010	990*550*1270	79	20
JYDB435	435L	898*572*848	900*600*1010	990*690*1260	95	20
JYDB435F	435L	898*572*848	900*600*1010	990*690*1260	95	20
JYDB540	540L	596*682*1298	598*710*1465	690*800*1710	100	20
JYDB540F	540L	596*682*1298	598*710*1465	690*800*1710	100	20
JYDB718	718L	596*682*1723	598*710*1910	690*800*2200	128	20
JYDB718F	718L	596*682*1723	598*710*1910	690*800*2200	128	20
JYDB870	870L	898*572*1698	900*600*1890	1000*700*2200	160	40
JYDB870F	870L	898*572*1698	900*600*1890	1000*700*2200	160	40
JYDB1436-4	1436L	1198*682*1723	1200*710*1910	1300*800*2230	219	40
JYDB1436F-4	1436L	1198*682*1723	1200*710*1910	1300*800*2230	219	40
JYDB1436-6	1436L	1198*682*1723	1200*710*1910	1300*800*2230	219	40
JYDB1436F-6	1436L	1198*682*1723	1200*710*1910	1300*800*2230	219	40

Auto Dry Cabinets

Ultralow Humidity Dry Cabinet(1%~10%RH,Unadjustable)

Ultralow Humidity Dry Cabinet is mainly used for storing materials which are sensitive to humidity, such as IC, BGA, SMT, copper, silver, silver plating components, optical and electronic components, chemicals, printed circuit boards, optical film and lens, LED, PCB board, crystal, SCR and other sophisticated electronic devices.



Model	Capacity	Inner Size (W×D×H,MM)	Outer Size (W×D×H,MM)	Packing Size (W×D×H,MM)	G.W (KG)	Average power (W)
JYDC98	98L	448*400*688	446*372*598	540*480*760	32	13
JYDC98F	98L	448*400*688	446*372*598	540*480*760	32	13
JYDC160	160L	446*422*848	448*450*1010	540*540*1215	47.5	18
JYDC160F	160L	446*422*848	448*450*1010	540*540*1215	47.5	18
JYDC240	240L	596*372*1148	598*400*1310	690*490*1500	63	18
JYDC240F	240L	596*372*1148	598*400*1310	690*490*1500	63	18
JYDC320	320L	898*422*848	900*450*1010	990*550*1270	79	20
JYDC320F	320L	898*422*848	900*450*1010	990*550*1270	79	20
JYDC435	435L	898*572*848	900*600*1010	990*690*1260	95	20
JYDC435F	435L	898*572*848	900*600*1010	990*690*1260	95	20
JYDC540	540L	596*682*1298	598*710*1465	690*800*1710	100	20
JYDC540F	540L	596*682*1298	598*710*1465	690*800*1710	100	20
JYDC718	718L	596*682*1723	598*710*1910	690*800*2200	128	20
JYDC718F	718L	596*682*1723	598*710*1910	690*800*2200	128	20
JYDC870	870L	898*572*1698	900*600*1890	1000*700*2200	160	40
JYDC870F	870L	898*572*1698	900*600*1890	1000*700*2200	160	40
JYDC1436-4	1436L	1198*682*1723	1200*710*1910	1300*800*2230	219	40
JYDC1436F-4	1436L	1198*682*1723	1200*710*1910	1300*800*2230	219	40
JYDC1436-6	1436L	1198*682*1723	1200*710*1910	1300*800*2230	219	40
JYDC1436F-6	1436L	1198*682*1723	1200*710*1910	1300*800*2230	219	40

Auto Dry Cabinets

Bottom Humidity Dry Cabinet(1%~5%RH,Unadjustable)

Bottom Humidity Dry Cabinet is mainly used for storing materials which are sensitive to humidity,such as IC, BGA,SMT, copper, silver, silver plating components,optical and electronic components,chemicals, printed circuit boards, optical film and lens, LED,PCB board, crystal, SCR and other sophisticated electronic devices.

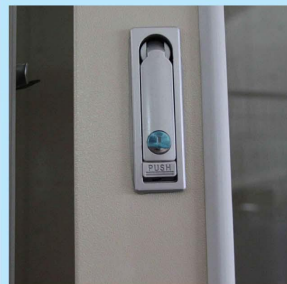


Model	Capacity	Inner size (W×D×H,MM)	Outer size (W×D×H,MM)	Packing size (W×D×H,MM)	G.W (KG)	Average power (W)
JYDU98	98L	448*400*688	446*372*598	540*480*760	32	13
JYDU98F	98L	448*400*688	446*372*598	540*480*760	32	13
JYDU160	160L	446*422*848	448*450*1010	540*540*1215	47.5	18
JYDU160F	160L	446*422*848	448*450*1010	540*540*1215	47.5	18
JYDU240	240L	596*372*1148	598*400*1310	690*490*1500	63	18
JYDU240F	240L	596*372*1148	598*400*1310	690*490*1500	63	18
JYDU320	320L	898*422*848	900*450*1010	990*550*1270	79	20
JYDU320F	320L	898*422*848	900*450*1010	990*550*1270	79	20
JYDU435	435L	898*572*848	900*600*1010	990*690*1260	95	20
JYDU435F	435L	898*572*848	900*600*1010	990*690*1260	95	20
JYDU540	540L	596*682*1298	598*710*1465	690*800*1710	100	20
JYDU540F	540L	596*682*1298	598*710*1465	690*800*1710	100	20
JYDU718	718L	596*682*1723	598*710*1910	690*800*2200	128	20
JYDU718F	718L	596*682*1723	598*710*1910	690*800*2200	128	20
JYDU870	870L	898*572*1698	900*600*1890	1000*700*2200	160	40
JYDU870F	870L	898*572*1698	900*600*1890	1000*700*2200	160	40
JYDU1436-4	1436L	1198*682*1723	1200*710*1910	1300*800*2230	219	40
JYDU1436F-4	1436L	1198*682*1723	1200*710*1910	1300*800*2230	219	40
JYDU1436-6	1436L	1198*682*1723	1200*710*1910	1300*800*2230	219	40
JYDU1436F-6	1436L	1198*682*1723	1200*710*1910	1300*800*2230	219	40

Auto Dry Cabinets

Auto Nitrogen Cabinet(1%~60%RH,Adjustable)

Auto Nitrogen Cabinet is mainly used for storing materials which are sensitive to humidity,such as optical and electronic components,chemicals, printed circuit boards, optical film and lens, LED,PCB board, crystal, SCR,IC, BGA and other sophisticated electronic devices.



Model	Capacity	Inner size (W×D×H,MM)	Outer size (W×D×H,MM)	Packing size (W×D×H,MM)	G.W (KG)	Average power (W)
JYN98D	98L	446*372*598	448*400*688	540*480*760	32	8
JYN98FD	98L	446*372*598	448*400*688	540*480*760	32	8
JYN160D	160L	446*422*848	448*450*1010	540*540*1215	47.5	8
JYN160FD	160L	446*422*848	448*450*1010	540*540*1215	47.5	8
JYN240D	240L	596*372*1148	598*400*1310	690*490*1500	63	8
JYN240FD	240L	596*372*1148	598*400*1310	690*490*1500	63	8
JYN320D	320L	898*422*848	900*450*1010	990*550*1270	79	8
JYN320FD	320L	898*422*848	900*450*1010	990*550*1270	79	8
JYN435D	435L	898*572*848	900*600*1010	990*690*1260	95	8
JYN435FD	435L	898*572*848	900*600*1010	990*690*1260	95	8
JYN540D	540L	596*682*1298	598*710*1465	690*800*1710	100	8
JYN540FD	540L	596*682*1298	598*710*1465	690*800*1710	100	8
JYN718D	718L	596*682*1723	598*710*1910	690*800*2200	128	8
JYN718FD	718L	596*682*1723	598*710*1910	690*800*2200	128	8
JYN870D	870L	898*572*1698	900*600*1890	1000*700*2200	160	8
JYN870FD	870L	898*572*1698	900*600*1890	1000*700*2200	160	8
JYN1436D-4	1436L	1198*682*1723	1200*710*1910	1300*800*2230	219	8
JYN1436FD-4	1436L	1198*682*1723	1200*710*1910	1300*800*2230	219	8
JYN1436D-6	1436L	1198*682*1723	1200*710*1910	1300*800*2230	219	8
JYD1436FD-6	1436L	1198*682*1723	1200*710*1910	1300*800*2230	219	8

High Temperature Ovens

200C Desktop Electric Heating Air Blast Drying Oven

Electric Air Blast Drying Ovens are used for a variety of applications like drying or tempering electronic components, material tests, torrefaction, wax-melting, high temperature aging, preheating various materials or specimen and sterilization in industrial and mining enterprises, laboratories and scientific research institutes.



Model	JYG-9023A	JYG-9053A	JYG-9123A	JYG-9203A
Consumed Power	530W	800W	1300W	1700W
Capacity	20L	50L	120L	200L
Internal Size(W*D*H,MM)	300*280*280	420*350*350	550*350*550	600*550*645
Outer Size(W*D*H,MM)	586*440*445	706*520*520	835*540*720	885*720*830
Packing Size(W*D*H,MM)	665*585*535	785*665*615	915*695*885	965*885*990
Gross Weight	38KGS	55KGS	75KGS	108KGS
Shelves	2 PCS			
Material of Studio	Stainless steel 304			
Supply Voltage	220V 50/60HZ			
Temperature Range	RT+10 °C ~ +200 °C			
Timing Range	0~9999min			
Temperature Fluctuation	± 1°C			
Temperature Control Precision	0.1°C			
Atmosphere	Forced convection			

High Temperature Ovens

200C Vertical Electric Heating Air Blast Drying Oven

Electric Air Blast Drying Ovens are used for a variety of applications like drying or tempering electronic components, material tests, torrefaction, wax-melting, high temperature aging, preheating various materials or specimen and sterilization in industrial and mining enterprises, laboratories and scientific research institutes.



Model	JYG-9030A	JYG-9070A	JYG-9140A	JYG-9240A	JYG-9423A	JYG-9623A
Consumed Power	700W	1000W	1600W	2200W	2600W	3600W
Capacity	30L	70L	140L	240L	420L	620L
Internal Size(W*D*H,MM)	300*300*350	400*400*450	450*550*550	500*600*750	600*550*1300	800*600*1300
Outer Size(W*D*H,MM)	585*480*450	525*550*760	575*695*885	665*720*1075	780*710*1770	980*760*1740
Packing Size(W*D*H,MM)	425*440*620	615*725*935	855*650*1050	880*740*1240	825*840*1985	1040*885*1985
Gross Weight	38KGS	54KGS	80KGS	104KGS	200KGS	245KGS
Shelves	For JYG-9030A,9070A,9140A,9240A 2 PCS;For JYG-9423A,JYG-9623A 3PCS					
Material of Studio	Stainless steel 304					
Supply Voltage	For JYG-9030A,9070A,9140A,9240A, 220V 50/60HZ;For JYG-9423A,JYG-9623A 380V 50/60HZ					
Temperature Range	RT+10 °C ~ +200 °C					
Timing Range	0~9999min					
Temperature Fluctuation	± 1°C					
Temperature Control Precision	0.1°C					
Atmosphere	Forced convection					

High Temperature Ovens

300C Vertical Electric Heating Air Blast Drying Oven

Electric Air Blast Drying Ovens are used for a variety of applications like drying or tempering electronic components, material tests, torrefaction, wax-melting, high temperature aging, preheating various materials or specimen and sterilization in industrial and mining enterprises, laboratories and scientific research institutes.



Model	JYG-9036A	JYG-9076A	JYG-9146A	JYG-9246A	JYG-9426A	JYG-9626A	JYG-9646A	JYG-9926A
Consumed Power	950W	1400W	1600W	2600W	3500W	5700W	6000W	7000W
Capacity	30L	70L	140L	240L	420L	620L	640L	960L
Internal Size(W*D*H,MM)	300*300*350	400*400*450	450*550*550	500*600*750	600*550*1300	800*600*1300	800*800*1000	1000*600*1600
Outer Size(W*D*H,MM)	455*485*700	555*565*790	645*695*900	690*755*1105	820*730*1750	1020*785*1750	940*980*1390	1140*780*1990
Packing Size(W*D*H,MM)	610*540*790	745*645*950	855*720*1060	895*765*1265	850*885*1985	1115*925*1985	1090*1160*1550	1290*930*2150
Gross Weight	47KGS	67KGS	90KGS	125KGS	215KGS	257KGS	240KGS	320KGS
Shelves	For JYG-9036A,9076A,9146A,9246A 2 PCS;For JYG-9426A,9626A,9646A 3PCS; For JYG-9926A 4PCS							
Material of Studio	Stainless steel 304							
Supply Voltage	For JYG-9036A,9076A,9146A,9246A 220V 50/60HZ;For JYG-9426A,9626A,9646A,9926A 380V 50/60HZ							
Temperature Range	RT+10°C ~ +300°C							
Timing Range	0~9999min							
Temperature Fluctuation	± 1°C							
Temperature Control Precision	0.1°C							
Atmosphere	Forced convection							

High Temperature Ovens

Vacuum Oven

Vacuum ovens are used for a variety of applications like drying heat treatment of materials under vacuum conditions in industrial and mining enterprises, laboratories, medical colleges and scientific research institutes. It is specially designed for drying of material which is thermo-sensitive or decomposes and oxidizes easily. It can be filled with inert gases to the inner chamber, which is especially for a rapid drying of some compound material.



Model	JYZF-6020	JYZF-6030	JYZF-6050	JYZF-6090	JYZF-6210
Consumed Power	300W	400W	1400W	1200W	2160W
Capacity	20L	30L	50L	90L	210L
Internal Size(W*D*H,MM)	300*300*275	320*320*300	415*370*345	450*450*450	560*590*640
Outer Size(W*D*H,MM)	580*420*450	610*455*485	710*520*535	615*605*1245	725*735*1435
Packing Size(W*D*H,MM)	650*575*550	675*580*570	780*645*705	720*720*1415	855x825x1655
Gross Weight	45KGS	47KGS	78KGS	175KGS	275KGS
Shelves	For JYZF-6020,6030 1PCS;For JYZF-6050,6090 2 PCS;For JYZF-6210 3PCS				
Material of Studio	Stainless steel 304				
Vacuum Degree	<133Pa				
Supply Voltage	220V 50/60HZ				
Temperature Range	For JYZF-6020,6030 RT+10 °C ~.+200 °C For JYZF-6050,6090,6210 RT+10 °C ~ +250 °C				
Temperature Fluctuation	± 1°C				
Temperature Control Precision	0.1°C				
Atmosphere	Internal heating				
Remark	Standard configuration for JYZF-6020,6030,6050 is not with vacuum pump,with options vacuum pump-2XZ-2;Standard configuration for JYZF-6090 and 6210 is with vacuum pump-2XZ-4				



HEFEI JAYON INSTRUMENT EQUIPMENT CO.,LTD.
NO.108,SHUSHAN INDUSTRIAL PARK,HEFEI CITY,ANHUI PROVINCE,CHINA.

TEL:+86-551-65692627

FAX:+86-551-65692635

EMAIL:ELLENKONG@JYCLIMATECHAMBER.COM

WWW.JYCLIMATECHAMBER.COM